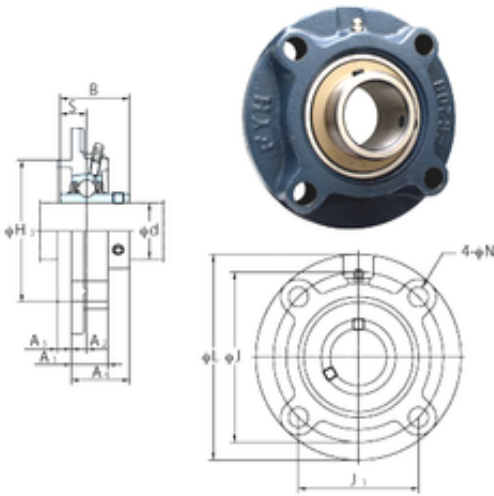




FYH UCFCX20-64 FYH Bearing

Bearing No. UCFCX20-64



UCFCX20-64 Bearing 2D drawings and 3D CAD models

Bore Diameter	101,6 mm
d	101,6 mm
H3	206 mm
A4	90,3 mm
A1	66 mm
B	117,5 mm
J	238 mm
L	276 mm
N	23 mm
S	49,2 mm
Bolt (G)	M20
A2	22 mm
A3	28 mm
J1	168,3 mm
Weight	18,2 Kg
Basic dynamic load rating (C)	133 kN
Basic static load rating (C0)	105 kN