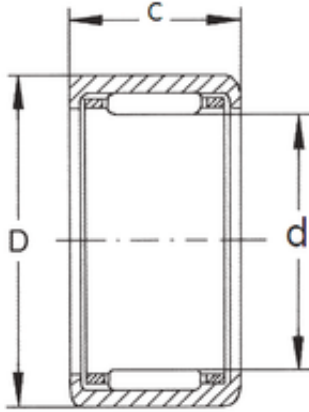




## FBJ HK1816 FBJ Bearing

Bearing No. HK1816



HK1816 Bearing 2D drawings and 3D CAD models

Size	18x24x16 mm
Bore Diameter	18 mm
Outer Diameter	24 mm
Width	16 mm
d	18 mm
D	24 mm
C	16 mm
Weight	0,0175 Kg
Basic dynamic load rating (C)	106,5 kN
Basic static load rating (C0)	15,3 kN
(Grease) Lubrication Speed	7200 r/min