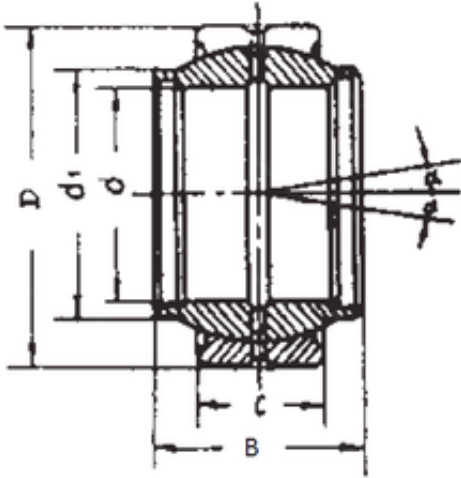




DAF Mechanical&Electrical Equipment C...



380 mm x 520 mm x 190 mm 380 mm x 520 mm
x 190 mm FBJ GEC380XS FBJ Bearing

Bearing No. GEC380XS

Size	380x520x190 mm
Bore Diameter	380 mm
Outer Diameter	520 mm
Width	190 mm
d	380 mm
D	520 mm
B	190 mm
C	160 mm
d1	400 mm
Angle	4 °
Weight	127 Kg
Basic dynamic load rating (C)	6300 kN

GEC380XS Bearing 2D drawings and 3D CAD models